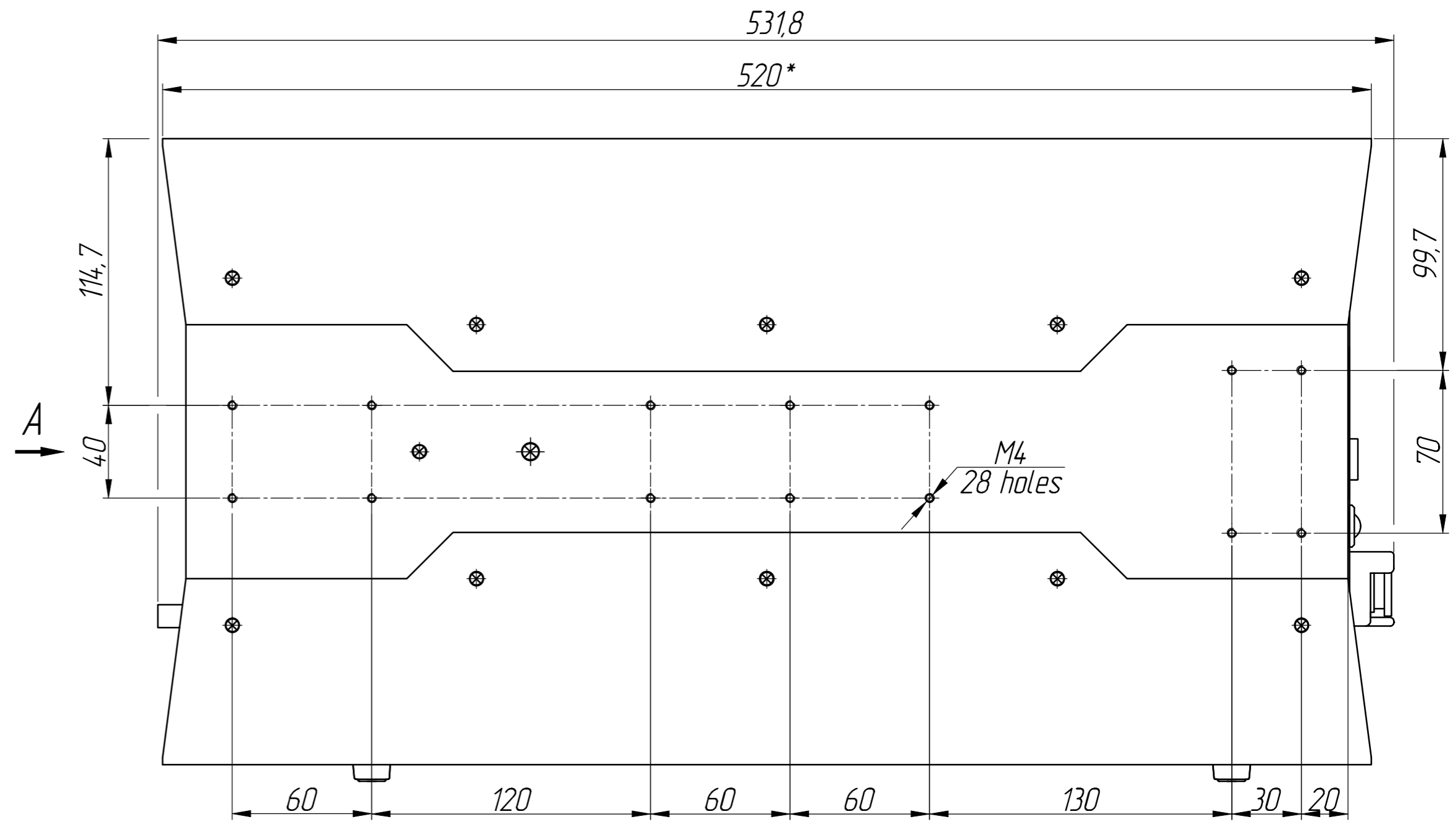
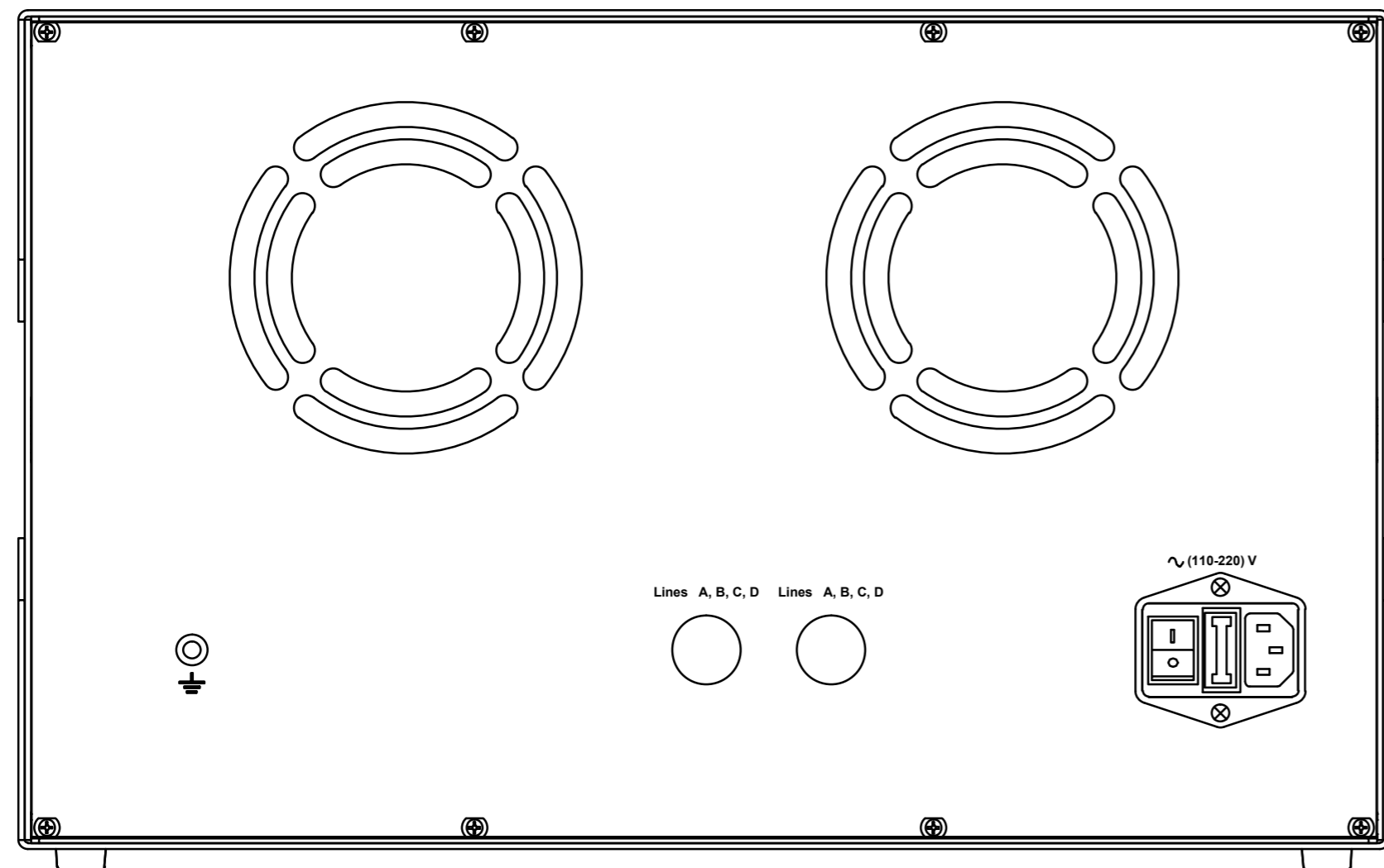


A



**Dimensions for reference.*

		Part number 466369.001	
		Wire Harness tester	Scale
		Dimensional drawing	1:2
		Sheet	Sheets 1
		Artech Systems Co. Ltd.	